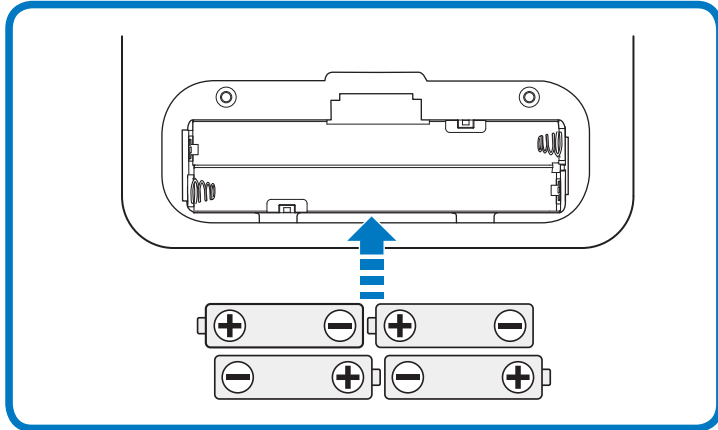


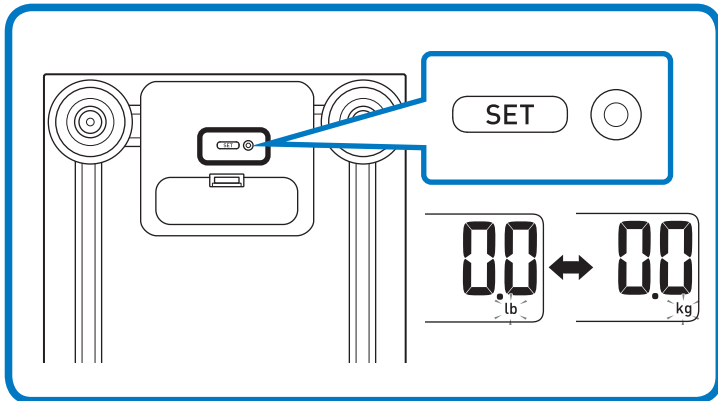
Scale with Bluetooth® SC-150

Quick Start Guide

1 Install 4 "AAA" batteries.



2 Press the [SET] button to select your weight metric.



3 Find the OMRON compatible app.

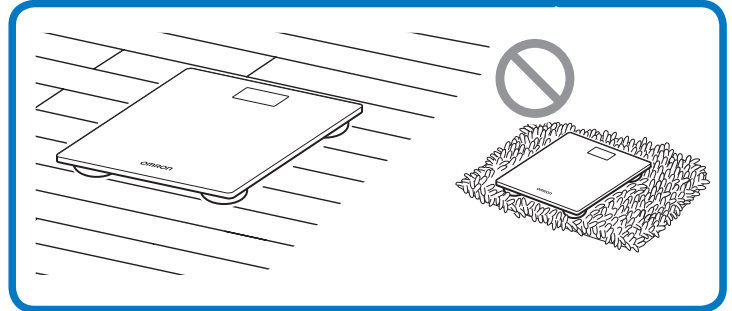
Scan the code below with your smart device camera or visit OmronHealthcare.com/app.



OmronHealthcare.com/app

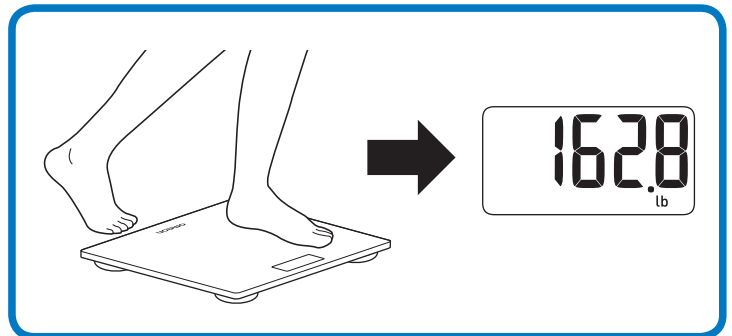
Follow the pairing instructions shown on your smart device.

4 Place the scale on a hard, flat and level floor.



5 Step onto the scale to start.

Remain still during the measurement. Your weight flashes when completed.



For more information, refer to the instruction manual.

Proper Storage

The scale recalibrates automatically when it is not in use. DO NOT store the scale as shown below.

